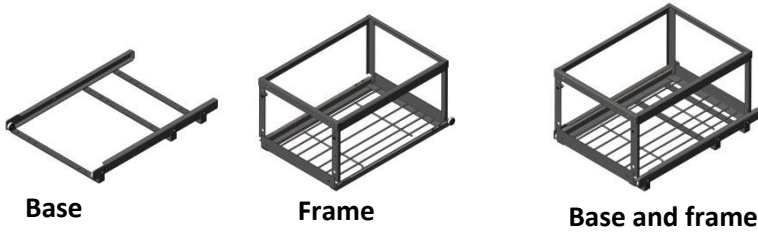


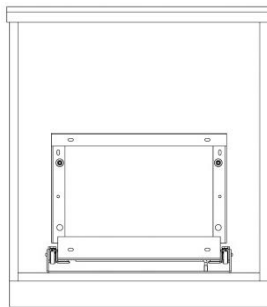
# INSTALLATION INSTRUCTION FOR SORTING CARTS LM 69, 70, 71, 77, 78



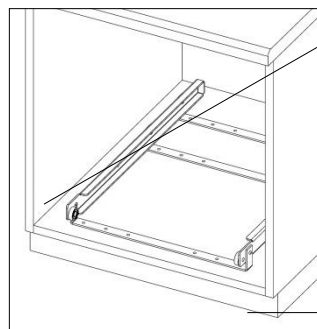
Sales package includes:  
18 pcs of ball head screws 4x12 mm.

Note before installing, that there are several door- and closet models and that these instructions are only advisory. Test the functionality of the trolley before fixing all the screws.

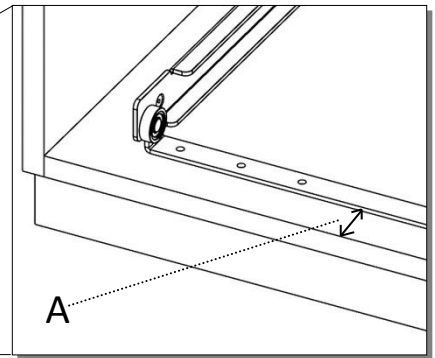
1. Place the frame and the base in the middle of the closet according to picture 1. Mark the right installing width with pen.
2. Separate the frame from the base and mark the right installing depth (A) of the base on the bottom sheet of the closet according to picture 2b (LM 69 and 77 A=22 mm, LM 70, LM 71, LM 78 A= 35 mm).
3. Fix the base onto the bottom sheet of the closet at first with four screws (picture 3). Place the frame back onto base and check the trolley slides smoothly. If it does not, check the base is installed directly on to the bottom sheet of the closet (cross-measure).
4. Take the necessary measures for the screw positioning onto door (picture 4).
5. Mark the screw places you measured in position 4. Press the pre-holes for screws with bayonet.  
**Note! Check that the screw length is suitable with the door thickness before fixing.** Fix first with three screws.
6. If necessary, the door inclination can be adjusted from the points described in picture 5.
7. Test the functionality of the trolley (picture 6b) and fix the rest of the screws. When the trolley is in the closet, there should be space of 1-4 mm between the door and the side wall of the closet (picture 6a). This reduces the load on screws fixed onto door.



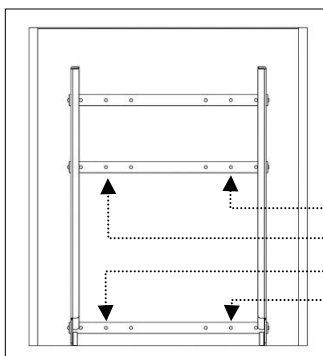
PICTURE 1



PICTURE 2a

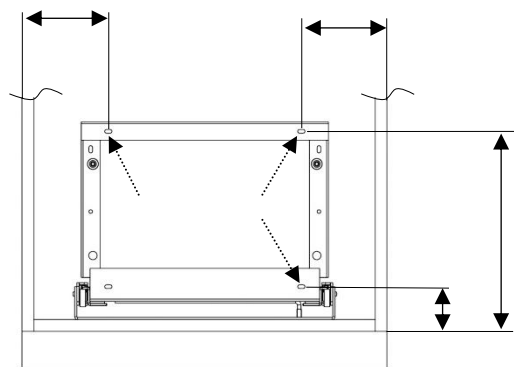


PICTURE 2b

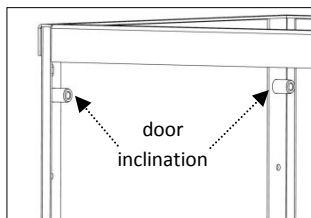


PICTURE 3

screw 4  
screw 3  
screw 2  
screw 1

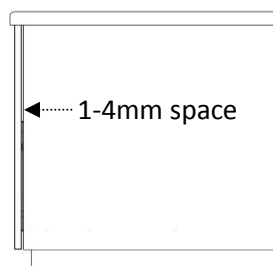


PICTURE 4



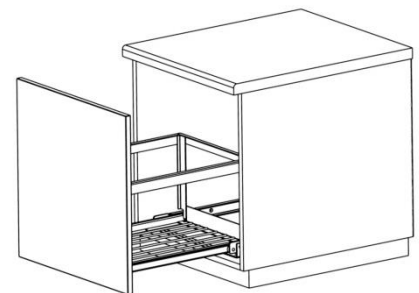
PICTURE 5

door  
inclination



PICTURE 6a

1-4mm space



PICTURE 6b