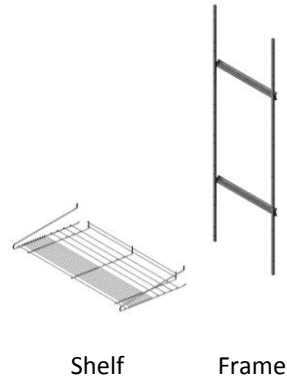


LM 686 STORAGE TOWER – INSTALLATION INSTRUCTION

Packing includes:

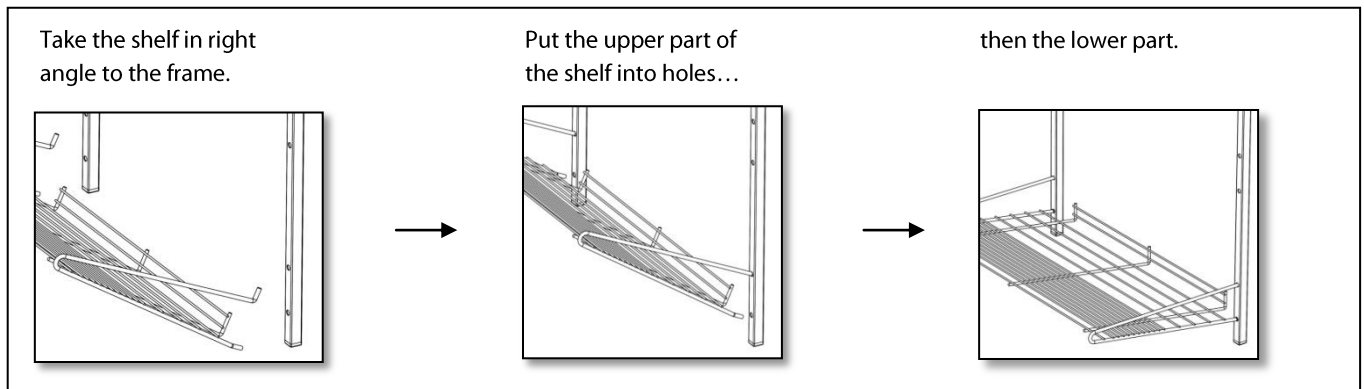
- 12 pcs of ball-headed screws 4,0 x 16 mm
- 1 pc frame (incl. elevation fillets integrated and ball bearing slides)
- 8 pcs of shelves



Installation:

1. Choose the side of the cabinet, left or right, where you want to install the storage tower. The frame is symmetric, so by turning it upside down, it can be fixed to another side of the cabinet. Before fixing, make sure that the frame glides to right direction, that is outside from the cabinet. If necessary, you can cut the height of the frame by using hacksaw.
2. Place the lowest and the uppermost shelf in to frame according to picture 1. The shelves are deliberately pretty tight to fit. Then fit the system in the cabinet.
3. Mark the right fixing height and then remove the shelves from the frame.
4. Fit the frame into cabinet and mark the right fixing depth (see picture 2, recommendation $x = 2$ cm)
Note! Make sure the length of the screws are suitable to thickness of the cabinet side before fixing.
5. Fix the upper slide with few screws and after that the lower slide. If the frame doesn't glide smoothly, unfix the lower slide and fix it again in corrected position.
6. Pull out the frame from cabinet, place the shelves beginning with the lowest shelf and check the functionality of the system.
7. Fix the rest of the screws.

Picture 1 –begin installation with the lowest shelf



Picture 2 – fixing the frame

