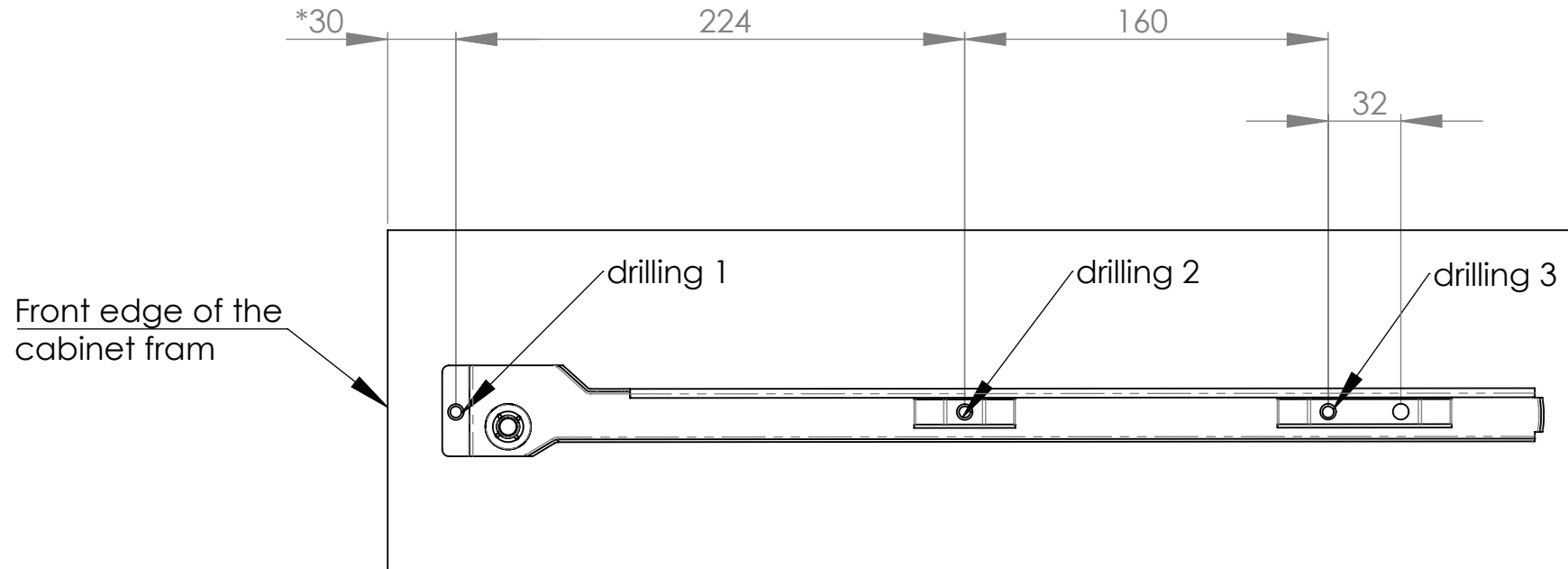



*Measure 30 mm: recommended distance from front edge of the cabinet frame to 1. drilling.



Asiakas / Customer		Tuote / Product	
		Measures for 500 mm deep roller baskets	
		Koodi / Code Kuvaus / Description LM 610, 611, 612, 613, 614, 615, 616	
Pinnoite / Coating		Piiustusnumero / Drawing number	
Suun. / Des'd		Pvm. / Date	Hyv. / Appr.
APo		18.08.2017	
		Pvm. / Date	
		11121	PR-03