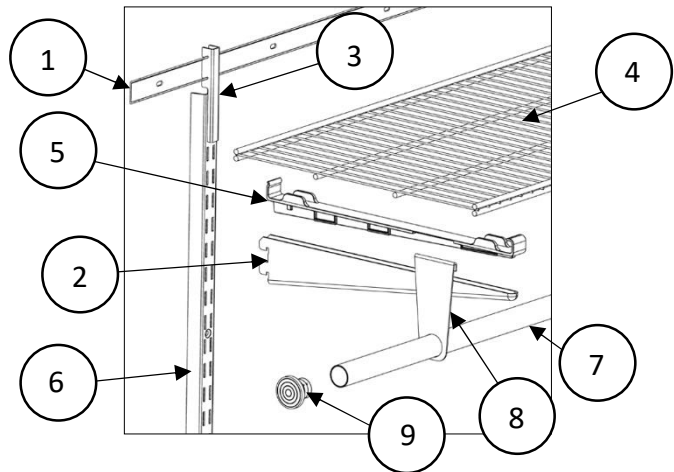


- 1) Install rail
- 2) Shelf support
- 3) Install rail support
- 4) Wire shelf
- 5) Wire shelf install strip
- 6) Wall rail
- 7) Clothes rail
- 8) Clothes rail support
- 9) Clothes rail end plug



Note before installing:

With light wall constructions, at least some of the mounting screws of the install rail must be fixed to the wall frame structure. The load-bearing capacity of the storage system is based on the wall construction and the distance between the wall rails. The load capacity is 20 kg / wire shelf, when installation distance of the wall rails doesn't exceed 903 mm. Load capacity can be increased by installing an additional wall rail, shelf support and wall rail install strip in the middle of the wire shelf.

Installing wall and install rails

1. Fasten the install rail on the upper part of the wall to suitable height (5x40 mm cap screw).
2. Adjust the install rail support on the wall rail and hang them onto the install rail (see image 2).
3. Slide the wall rails to suitable distance. The configuration of the storage system determines the distance of the wall rails - from middle to middle max 603 mm or 903 mm (see image 1). Before mounting the wall rails please test the installation distance by fitting the parts together.
4. Fasten the wall rail on the wall with one screw (5x50 cap screw) and test the compatibility of the parts before fixing the screws.

Installing the wire shelf

Connect the wire shelf install strips on the wire shelf and the system on top of the shelf supports. The wire shelf can be mounted at 0-15 cm distance from the shelf support (see image 3). If an additional wire shelf is to be installed on the side, you need to put the install rail to the last wire division (see image 4).

Installing the clothes rail

The clothes rail support can be hung on the shelf support and is recommended to be installed between every support. Clothes rail support and wire shelf fits above clothes rail. To prevent the clothes rail from falling off the bracket, install end plugs to both ends of the clothes rail.

Image 1, example configuration



Image 2

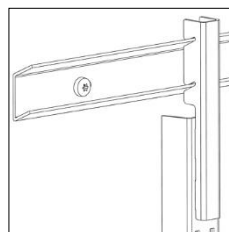


Image 3

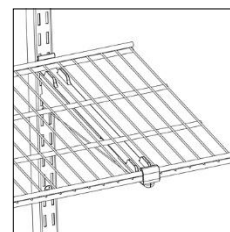


Image 4

