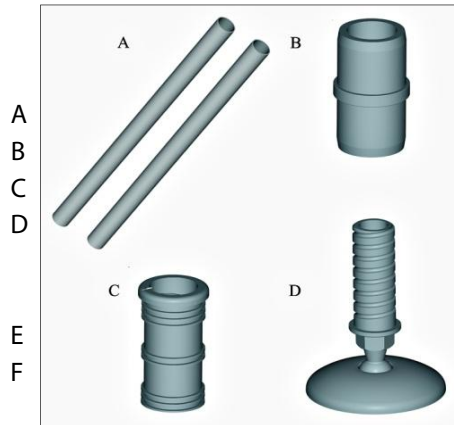


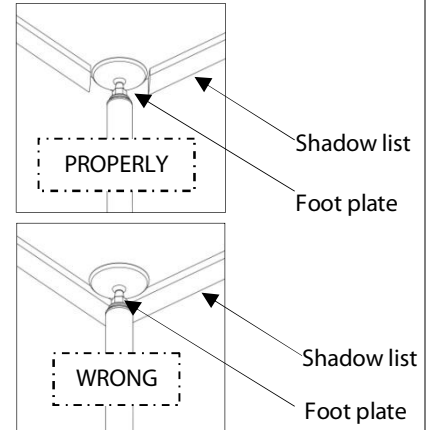
LM 197 PILAR CORNER – INSTALLATION INSTRUCTION

Packing includes:

- Tubes 125 cm (2 pcs)
- Interconnector
- End blocks (2 pcs)
- Thread plug + foot plate (2 pcs)
- Basket with fasteners (2 pcs)
- Minisaw
- Spacer ring diameter 50 mm (2 pcs)
- Spacer ring diameter 10 mm (2 pcs)



When assembling, pay attention to follow:



The shadow lists are to be shaped so, that the foot plates are in the corner.

The product is not sturdy, if it is out of the corner.

1. Connect the tubes (A) with interconnector (B). (Fig. 1)
2. Measure floor to ceiling height.
Take away 110 mm from floor to ceiling height.
Mark around the tube at the measurement
Saw along the line with the minisaw packed in the box.
NB. The interconnector (B) must be installed before the tube will be measured to correct length.
3. Thread the baskets along the tube and mount on required height. (Fig. 2)
4. Tighten up the screws (3 pcs) below the clamping collar of the basket. The screwing up is adequate, when the basket does not move downwards. (Fig. 2.)
5. Mount the end blocks (C) by inserting them on tube ends (A). (Fig. 3)
6. Turn the thread plug + foot plate in place. NB. the location of spacer rings. (Fig. 3)
7. Locate the pole with baskets on a specified point of the room.
8. By rotating the thread plug (D) the pole can be locked in place (max. 4 cm). (Fig. 4.)

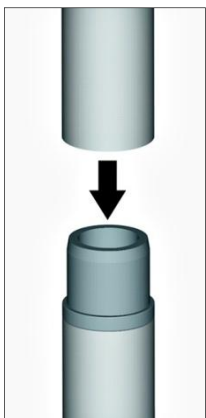


Fig. 1

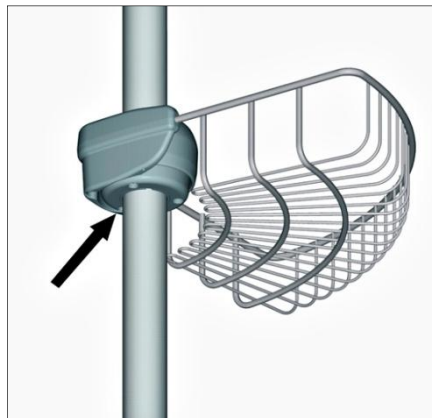


Fig. 2

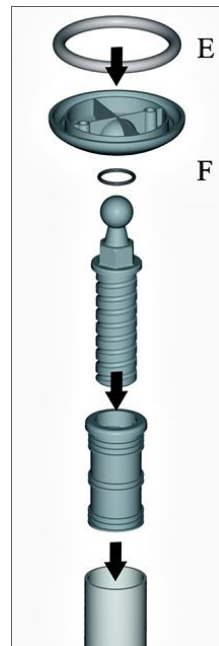


Fig. 3

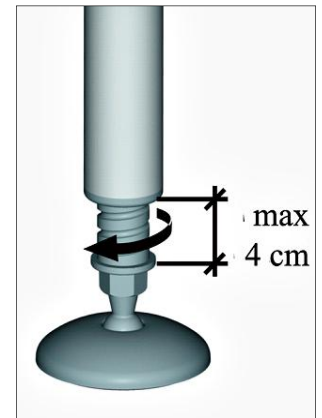


Fig. 4